

1" Non-Metallic Models

EXP SERIES PUMPS

ARO® EXP 1" non-metallic diaphragm pumps are a versatile solution for numerous applications. Our EXP 1" models achieve flow rates of up to 53 GPM (200.6 L/min) and offer a wide array of material and porting configurations. These pumps are often used for transfer, filling, recirculation and supply in chemical, industrial and water/wastewater treatment markets.

Ratio:	1:1
Maximum GPM (L/min):	53 (200)
Displacement per cycle Gallons (Liters):	0.226 (0.86)
Air Inlet (Female):	1/4 - 18 N.P.T.
Fluid Inlet/Outlet:	1 - 11-1/2 N.P.T.F., Rp1(1-11 BSP) 1" A.N.S.I./DIN flange (side or center)
Max. operating pressure psi (bar):	120 (8.3)
Suspended solids max. dia. in.(mm):	1/8" (3.2)
Weight lbs (kg):	Polypropylene, Threaded Port 19.35 (8.78) Polypropylene, Center Ported 19.59 (8.89) Polypropylene, Side Ported 19.87 (9.01) PVDF, Threaded Port 25.83 (11.72) PVDF, Center Ported 26.72 (12.12) PVDF, Side Ported 27.15 (12.32)
Maximum dry suction lift ft(m) :	19 (5.7)
Sound Level:	70 PSI (4.8 bar) 60 Cycles/Min 79.7 db(A)
Muffler Included:	93110



PD10P-FKS-KAA

Ordering

Position	1	2		3	4	5		6	7	8		9	10	11
Example:	PX10	X	-	X	X	S	-	X	X	X	-	A	X	X

Position 1 Model Series	Position 2 Center Section	Position 3 Connections	Position 4 Wetted Parts	Position 5 Hardware	Position 6 Seat Material	Position 7 Ball Material	Position 8 Diaphragm Material	Position 9
PD10 - Standard Pump PE10 - Electronic Interface Accessible Pump	E - Conductive Polypropylene P - Polypropylene	A - NPTF Thread B - BSP Thread F - 1" A.N.S.I./DIN Flange (Side) Y - 1" A.N.S.I./DIN Flange (Center)	E - Conductive Polypropylene* K - PVDF N - Conductive PVDF* P - Polypropylene	S - SS	H - 440 SS (Hard) K - PVDF P - Polypropylene S - 316 SS	A - Santoprene® C - Hytrel® G - Nitrile T - PTFE V - Viton®	A - Santoprene® C - Hytrel® G - Buna-N L - Long-Life PTFE M - Med. Grade Santoprene® T - PTFE/Santoprene® V - Viton®	Revision Level Position 10 & 11 Specialty Code Fluid control options for pump with electronic interface (PE20 model). See complete description on page 25

* Acceptable for use in hazardous locations. - NEC / CEC: Class I&II, Div 1&2, Group A-D - ATEX: Zone 1&2, 21&22

Hytrel® and Viton® are registered trademarks of the DuPont company. Santoprene® is a registered trademark of Monsanto Company, licensed to Advanced Elastomer Systems, L.P.

Accessories

Air Line Connection Kit | 66073-2

(Piggyback Filter/Regulator with gauge, pipe nipple and 5-foot air hose)

Diaphragm Failure Detection | 67237

ARO® Diaphragm Failure Detection is a simple, cost-effective way to get your pumps wired for preventive maintenance. (PE10X pump model is required)

Cycle Counter Kit | 66350

Cycle Sensor Kit | 67350

Service Repair Kits | 637397 (air motor for PX10P), 637396-XX (fluid section with seats), 637395-X (major air valve assembly)

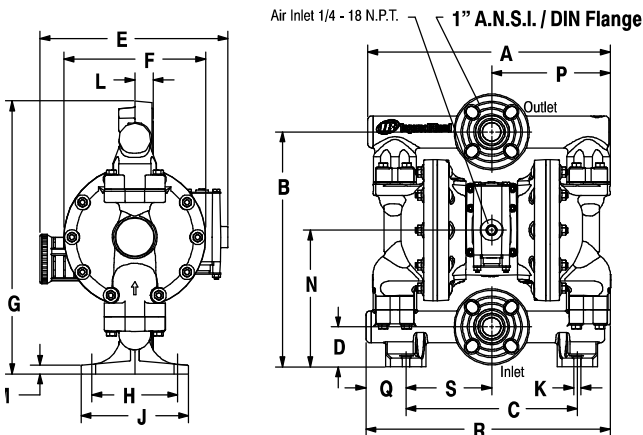
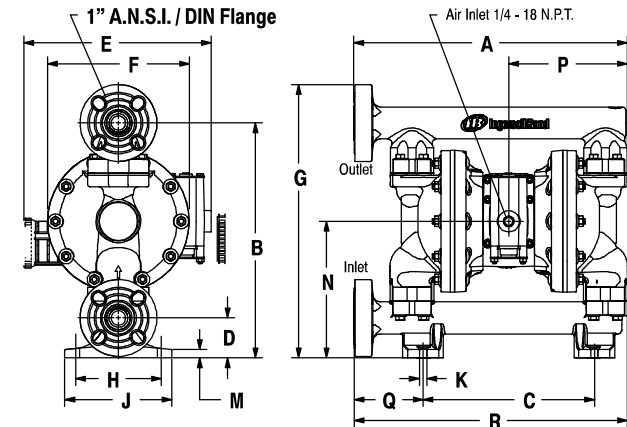
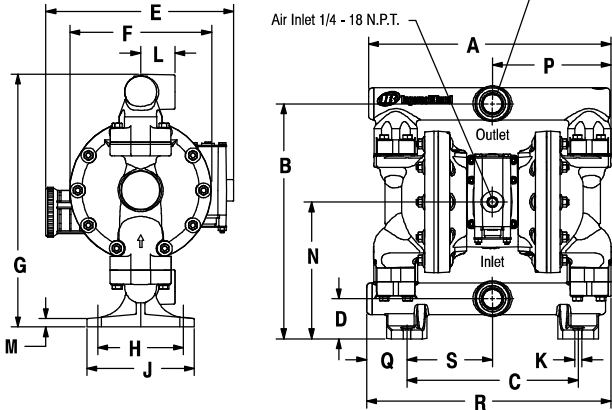
Flange Connection Kits | 67341-E10N (side flange), 67341-C10N (center flange)

Use with non-metallic EXP pumps with the flange manifold option



1" Non-Metallic Dimensions and Flow Charts

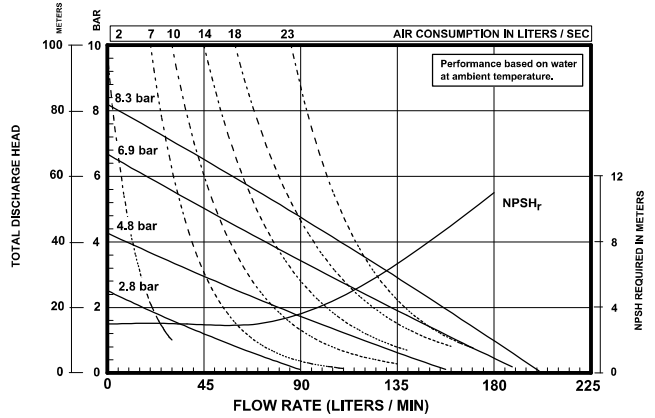
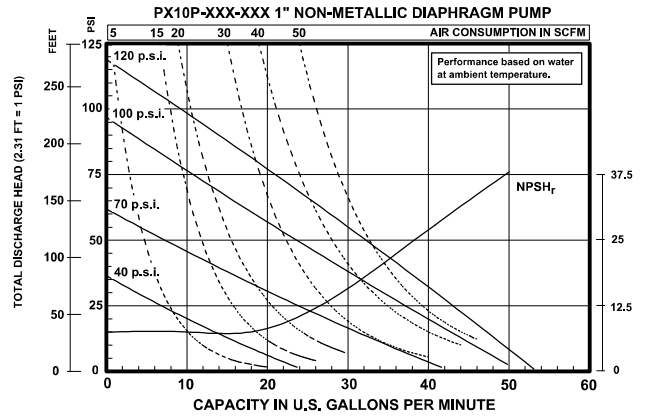
1 - 11-1/2 N.P.T.F. - 1 (PX10P-**AXS**-XXX)
Rp 1 - 11 BS (PX10P-**BXS**-XXX)



DIMENSIONS

A - see below	G - see below	N - 8-1/32" (203.4 mm)
B - 13-25/32" (349.8 mm)	H - 5-1/32" (127.6 mm)	P - 6-31/32" (176.6 mm)
C - 10-1/16" (255.3 mm)	J - 6-9/32" (159.6 mm)	Q - see below
D - 2-11/32" (59.4 mm)	K - 7/16" (11.1 mm)	R - see below
E - 11-1/32" (279.5 mm)	L - see below	S - 5-1/32" (127.6 mm)
F - 8-5/16" (211.1 mm)	M - 1/2" (12.7 mm)	

PX10P- AXS -, BXS - (Threaded)	PX10P- FXS -XXX (End Flange)	PX10P- YXS -XXX (Center Flange)
A - 14-7/32" (361.2 mm)	16-1/32" (407.3 mm)	14-7/32" (361.2 mm)
G - 14-27/32" (376.5 mm)	16-1/32" (407.3 mm)	16" (406.3 mm)
L - 2" (50.8 mm)	-----	1-1/32" (25.6 mm)
Q - 2-3/8" (59.7 mm)	4-1/16" (103.0 mm)	2-3/8" (59.7 mm)
R - 14-11/32" (364.0 mm)	16-1/32" (407.3 mm)	14-11/32" (364.0 mm)



Refer to www.AROzone.com for full size flow curves.
For additional information contact
technical support at 1.800.495.0276

Ordering Position 10 Specialty Code 1 (Blank if no Specialty Code)

A - Solenoid 120VAC	G - Solenoid 12VDC ATEX/IECex*
B - Solenoid 12VDC	H - Solenoid 24VDC ATEX/IECex*
C - Solenoid 240VAC	J - 120VAC NEC/CEC*
D - Solenoid 24VDC	K - Solenoid 220VAC ATEX/IECex*
E - 12VDC NEC/CEC*	N - Solenoid with no coil
F - 24VDC NEC/CEC*	O - Standard Valve Block (No Solenoid)
	P - Ported Motor (No major valve provided)

Ordering Position 11 Specialty Code 2 (Blank if no Specialty Code)

E - End of stroke feedback + Leak Detection	L - Leak Detection
F - End of stroke feedback	M - Leak Detection ATEX/IECex/NEC/CEC*
G - End of Stroke ATEX/IECex*	O - No Option
H - End of Stroke/Leak Detection ATEX/IECex*	R - End of Stroke Feedback NEC / CEC*
	T - End of Stroke Feedback + Leak Detection NEC / CEC*

* Acceptable for use in hazardous locations. - NEC / CEC: Class I&II, Div 1&2, Group A-D
- ATEX: Zone 1&2, 21&22