

1/2" Classic Style Non-Metallic Models

COMPACT SERIES PUMPS

Part of our Compact Series of pumps, our 1/2" classic pumps feature big performance in a small package. With flow rates up to 13 GPM (49.2 L/min) and a wide range of material and porting configurations.

Ratio:	1:1	
Maximum Flow gpm (L/min):	ball 13 (49.2)	duckbill 10 (37.9)
Displacement per cycle gal (l):	ball .04 (.15)	duckbill .032 (0.12)
Air Inlet: (Female)	1/4 - 18 NPTF - 1	
Fluid Inlet/Outlet:	1/2 - 14 NPTF - 1	
Max. operating pressure psi (bar):	100 (6.9)	
Suspended solids max. dia in (mm):	ball .09375 (2.4)	duckbill fibers
Weight lbs (kg):	Polypropylene 7.2 (3.3)	
	Groundable Acetal 8.8 (4.0)	
	Kynar PVDF 9.5 (4.3)	
Sound Level:	70 PSI (4.8 bar) 60 Cycles/Min 71.1 db(A)	
Muffler:	Integral, Included	



66605J-3EB

Ordering

Position	1	2		3	4	5		6
Example:	66605	X	-	X	X	X	-	04

Position 1 Model Series	Position 2 Fluid Caps and Manifold Material	Position 3 Seat Section	Position 4 Ball Material	Position 5 Diaphragm Material	Position 6 Cone Check Flow
Base Model	3 - Polypropylene 6 - Groundable Acetal 7 - Pure PVDF J - Polypropylene* H - Groundable Acetal* K - Pure PVDF* *Single piece manifold	0 - Duckbill 2 - Stainless Steel 3 - Polypropylene 4 - PVDF 6 - Acetal	1 - Neoprene 2 - Nitrile 3 - Viton 4 - PTFE 8 - Polyurethane A - Stainless Steel C - Neoprene** D - Nitrile** E - Santoprene **Duckbill models	1 - Neoprene 2 - Nitrile 3 - Viton 4 - PTFE/Santoprene 8 - Polyurethane 9 - Hytrel B - Santoprene L - Long-Life PTFE	04 - Top Discharge

Accessories

Air Line Connection Kit | 66073-1

(Piggyback Filter/Regulator with gauge, pipe nipple and 5-foot air hose)

Cycle Counter Kit| 66975

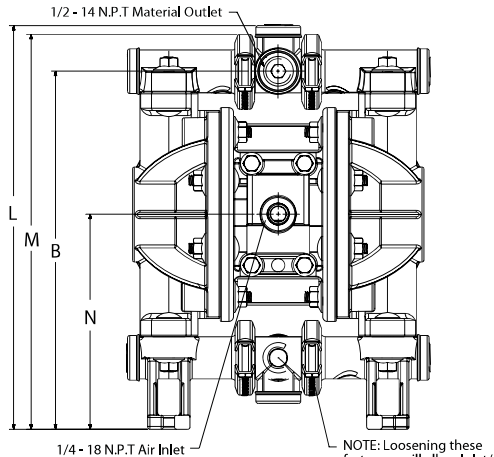
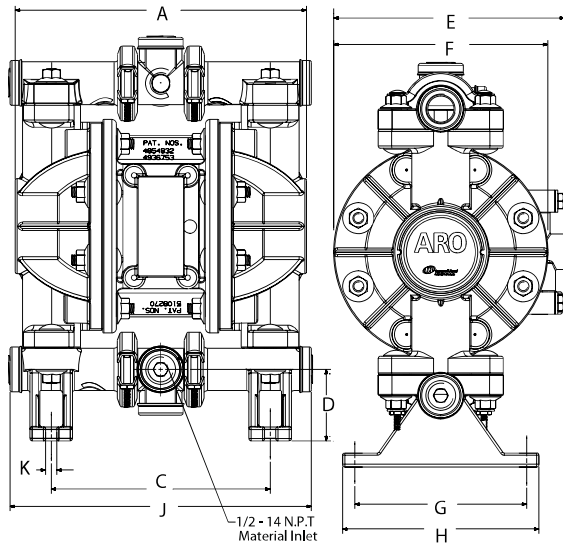
Optional Muffler | 93110 used with 637438 kit

Service Repair Kits | 637141 (air section)

637140-XX (fluid section)

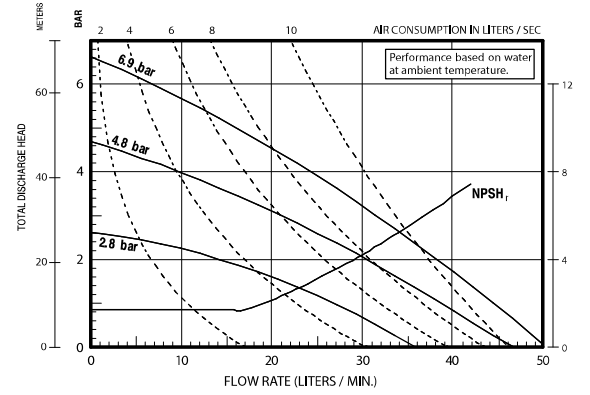
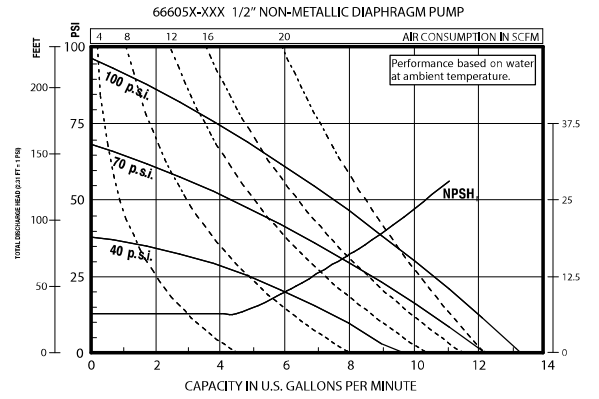


1/2" Non-Metallic Dimensions and Flow Charts



NOTE: Dimensions are shown in inches and (mm) and are supplied for reference only.

- | | | |
|-----------------------|-----------------------|-----------------------|
| A - 8.155" (207.1 mm) | E - 6.467" (164 mm) | J - 8.44 5" (215 mm) |
| B - 10.051" (255 mm) | F - 6.000" (152 mm) | K - 0.31 2" (8 mm) |
| C - 6.135" (155.8 mm) | G - 4.812" (122.2 mm) | L - 11.331" (288 mm) |
| D - 2.005" (51 mm) | H - 5.500" (140 mm) | M - 11.08 4" (282 mm) |
| | | N - 6.040" (153 mm) |



Refer to www.AROzone.com for full size flow curves.
For additional information contact technical support at 1.800.495.0276