

# 1" Metallic Models

## PRO SERIES PUMPS

ARO® PRO 1" metallic diaphragm pumps achieve flow rates of up to 35 GPM (133 L/min) and offer a wide array of material and porting configurations. These pumps are often used for transfer, filling, recirculation and batching in Industrial, Mining, Construction, Chemical and Petrochemical markets.

Ratio:	1:1		
Maximum Flow gpm (L/min):	35 (133)		
Displacement per cycle gal (l):	.16 (.60)		
Air Inlet (Female):	1/4 - 18 NPTF - 1		
Fluid Inlet/Outlet:	1 - 11-1/2 NPTF - 1 Rp 1 (1-11 BSP parallel)		
Max. operating pressure psi (bar):	120 (8.3)		
Suspended solids max. dia in (mm):	.125 (3.2)		
Weight lbs (kg):	666100-X-C (aluminum)	19 (8.6)	
	666101-X-C (stainless steel)	29 (13.1)	
	666102-X-C (cast iron)	31 (14.1)	
	Note: Add 8 (3.63) for cast iron air motor section		
Maximum dry suction lift ft (m):	20 (6.1)		
Sound Level:	70 PSI (4.8 bar) 60 Cycles/Min 78.3dB(A)		



6661X0, 1XA, 1X2 & 1XC  
Aluminum / Cast Iron  
Pump



6661X1 & 1XB  
Stainless Steel  
Pump

### Ordering

Position	1	2		3	4	5		6
Example:	6661X	X	-	X	X	X	-	C

Position 1 Center Body	Position 2 Fluid Caps Manifold Material	Position 3 Seat Material	Position 4 Ball Check Material	Position 5 Diaphragm Material
0 - Aluminum, NPTF 1 - Cast Iron, NPTF 2 - Aluminum, BSP 3 - Cast Iron, BSP	0 - Aluminum (steel hardware) 1 - SS (steel hardware) 2 - Cast Iron (steel hardware) 9 - SS, dual outlet (steel hardware) A - Aluminum, (stainless hardware) B - SS (stainless hardware) C - Cast Iron (stainless hardware) D - SS, dual outlet (stainless hardware)	1 - Aluminum 2 - 316 Stainless Steel 3 - Polypropylene 4 - PVDF (Kynar) 5 - Carbon Steel 8 - Hard 400 Stainless Steel	1 - Neoprene 2 - Nitrile 3 - Viton 4 - PTFE 6 - Acetal 8 - Polyurethane A - Stainless Steel C - Hytrel E - Santoprene	1 - Neoprene 2 - Nitrile 3 - Viton 4 - PTFE / Santoprene 6 - Composite PTFE 9 - Hytrel B - Santoprene G - Nitrile

### Accessories

**Air Line Connection Kit** | 66073-2 (Piggyback Filter/Regulator with gauge, pipe nipple and 5-foot air hose)

**Cycle Counter Kit** | 66975

**Service Repair Kits** | 637118-C (air section)  
637119-XX-C (fluid section)

**Wall Mount** | 66100



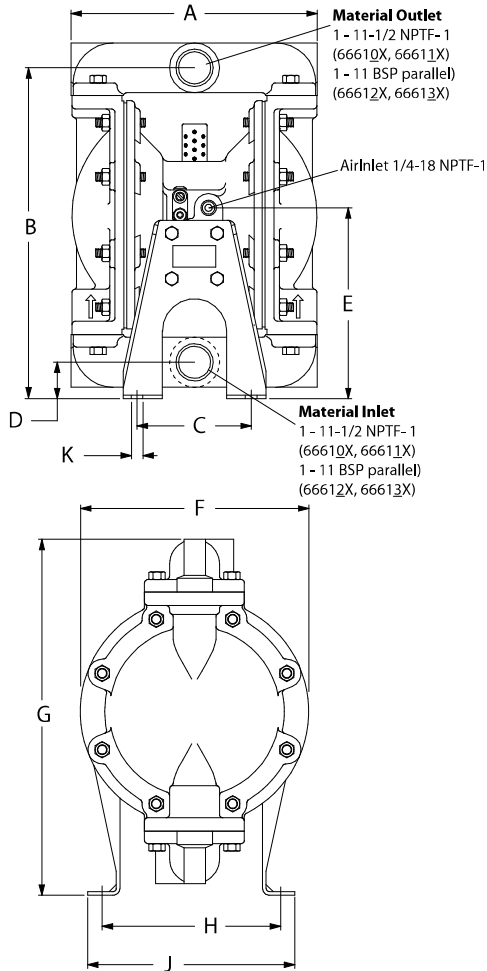
Air Line Connection Kit  
66073-2



Wall Mount  
66100

# 1" Metallic Dimensions and Flow Charts

## 6661X0, 1XA, 1X2 & 1XC

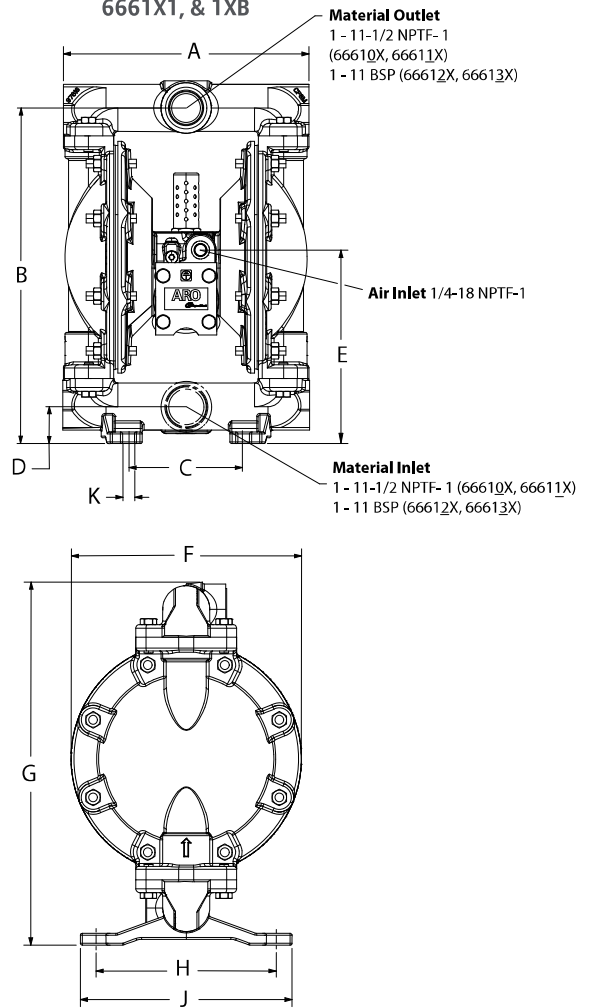


### DIMENSIONS

- |                        |                      |                      |
|------------------------|----------------------|----------------------|
| A - 8-9/16" (217.5 mm) | E - 6-1/2" (165 mm)  | H - 6-1/4" (159 mm)  |
| B - 11-9/16" (294 mm)  | F - 8" (203 mm)      | J - 7-5/16" (186 mm) |
| C - 4" (102 mm)        | G - 12-1/2" (318 mm) | K - 13/32" (10 mm)   |
| D - 1-1/4" (32 mm)     |                      |                      |

NOTE: Dimensions are shown in inches and (mm), supplied for reference only and are typically rounded up to the nearest 1/16 inch.

## 6661X1, & 1XB



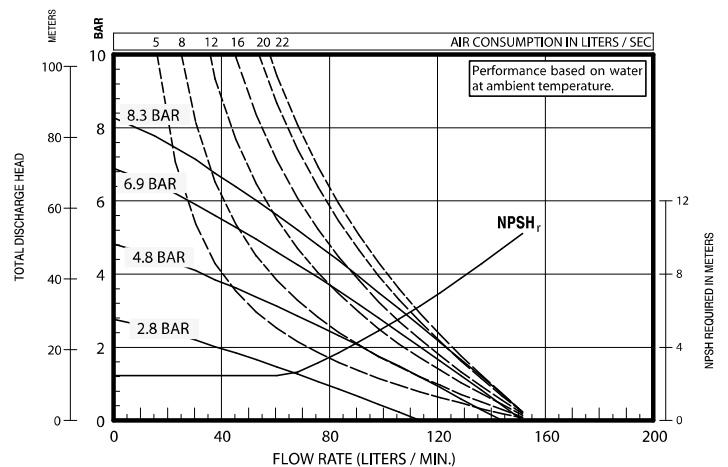
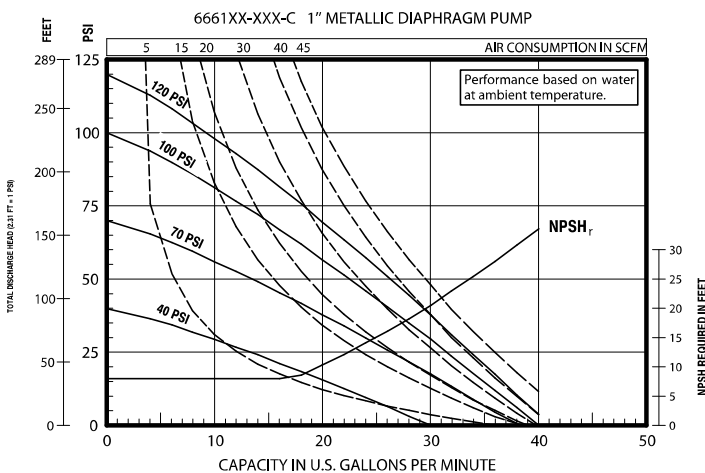
### DIMENSIONS

- |                        |                       |                      |
|------------------------|-----------------------|----------------------|
| A - 8-9/16" (217.5 mm) | E - 6-1/2" (165 mm)   | H - 6-1/8" (155 mm)  |
| B - 11-9/16" (294 mm)  | F - 8" (203 mm)       | J - 7-5/16" (186 mm) |
| C - 4" (102 mm)        | G - 12-7/16" (315 mm) | K - 13/32" (10 mm)   |
| D - 1-1/4" (32 mm)     |                       |                      |

NOTE: Dimensions are shown in inches and (mm), supplied for reference only and are typically rounded up to the nearest 1/16 inch.

## PERFORMANCE CURVES

### 6661XX-XXX-C 1" METALLIC DIAPHRAGM PUMP



Refer to [www.AROzone.com](http://www.AROzone.com) for full size flow curves. For additional information contact technical support at 1.800.495.0276