

3" Metallic Models

PRO SERIES PUMPS

ARO® PRO 3" metallic diaphragm pumps achieve flow rates of up to 237 GPM (897 L/min) and offer a wide array of material and porting configurations. These pumps are often used for transfer, filling, recirculation and batching in Ceramic, Paint, Oil & Gas, Mining, Construction, Chemical and Petrochemical markets.

| | |
|------------------------------------|--|
| Ratio: | 1:1 |
| Maximum Flow gpm (L/min): | 237 (897) |
| Displacement per cycle gal (l): | 2.65 (10.03) |
| Air Inlet (Female): | 3/4 - 14 NPTF - 2 |
| Fluid Inlet/Outlet: | 3 - 8 NPTF - 1 Rp 3 (3 - 11 BSP parallel) |
| Max. operating pressure psi (bar): | 120 (8.3) |
| Suspended solids max. dia in (mm): | .375 (9.5) |
| Weight lbs (kg): | 6663X0-XXX-C 109.8 (49.8) 6663X1-XXX-C 222.2 (100.8) 6663X2-XXX-C 213.1 (96.7) |
| Maximum dry suction lift ft (m): | 17.6 (5.4) |
| Sound Level: | 70 PSI (4.8 bar) 60 Cycles/Min 86.3 db(A) |



666322-144-C

67389 Muffler Kit (not shown) included with pump

Ordering

| Position | 1 | 2 | | 3 | 4 | 5 | | 6 |
|----------|-------|---|---|---|---|---|---|---|
| Example: | 6663X | X | - | X | X | X | - | C |

| Position 1 Center Body | Position 2 Fluid Caps Manifold Material | Position 3 Seat Material | Position 4 Ball Check Material | Position 5 Diaphragm Material |
|---|---|--|---|--|
| 0 - Aluminum, NPTF 2 - Aluminum, BSP | 0 - Aluminum (steel hardware) 1 - Stainless steel (steel hardware) 2 - Cast Iron (steel hardware) A - Aluminum / Stainless Steel B - Stainless Steel / Stainless Steel C - Cast Iron / Stainless Steel | 1 - Aluminum 9 - Hytrel E - Santoprene G - Nitrile 2 - 316 Stainless Steel 4 - PVDF (Kynar) 5 - Carbon Steel 8 - Hard Stainless Steel | 2 - Nitrile 4 - PTFE C - Hytrel E - Santoprene | 2 - Nitrile 4 - PTFE / Santoprene 9 - Hytrel B - Santoprene |

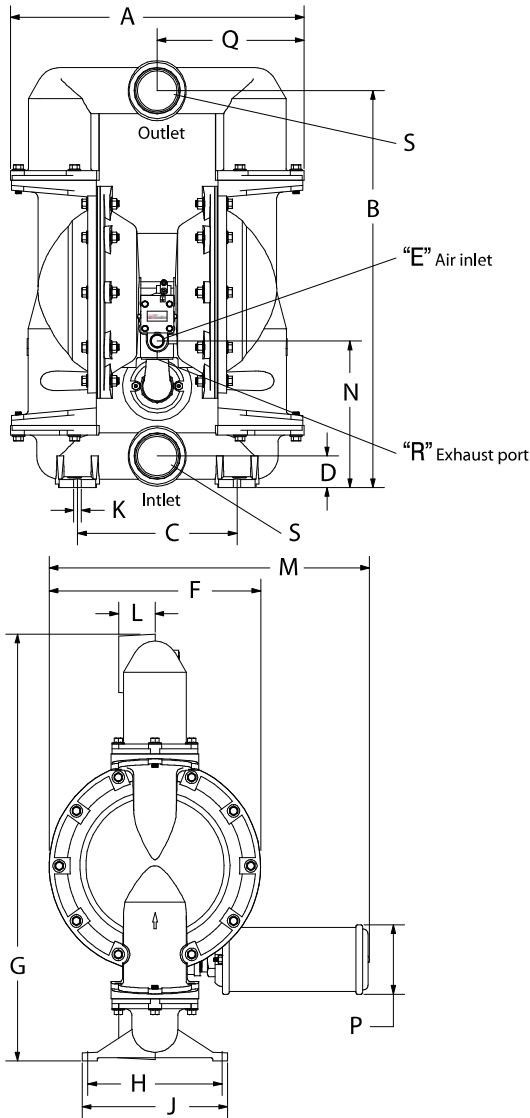
Accessories

Air Line Connection Kit | 66312 (Piggyback Filter/Regulator with gauge, pipe nipple and 5-foot air hose)

Cycle Counter Kit | 66975

Service Repair Kits | 637434 (air section)
637433-XX (fluid section)

3" Metallic Dimensions and Flow Charts

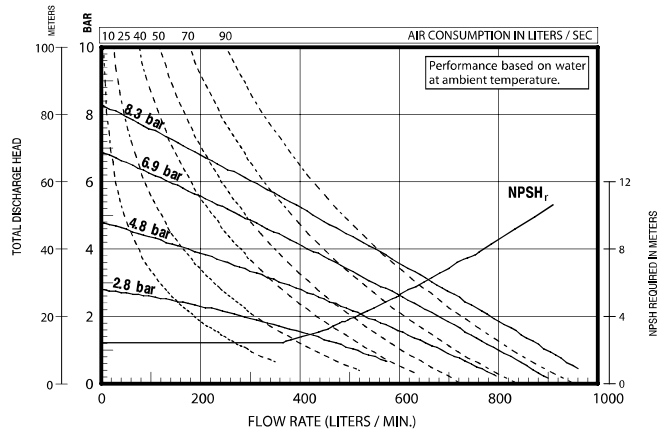
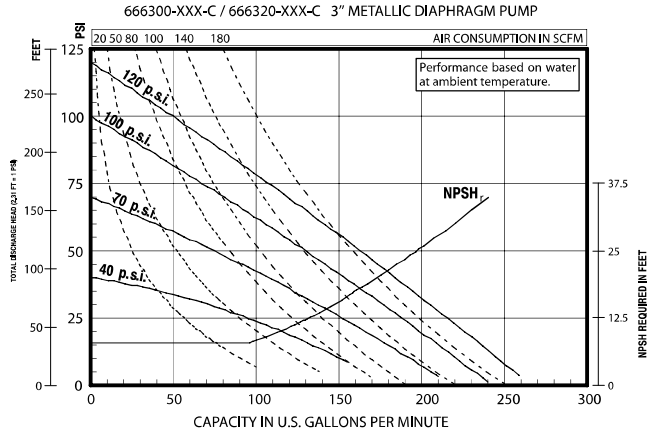


DIMENSIONS

| | | |
|-------------------------|-----------------------|-----------------------------|
| A 22-7/32" (563.9 mm) | G 32-9/32" (819.8 mm) | N 11-3/32" (281.4 mm) |
| B 30" (762.0 mm) | H 10-5/32" (258.0 mm) | P 5-1/4" (133.4 mm) |
| C 12-1/16" (306.4 mm) | J 11" (279.4 mm) | Q 11-1/8" (281.9 mm) |
| D 2-3/8" (60.3 mm) | K 9/16" (14.3 mm) | R 1-1/4 - 11-1/2 N.P.T.F.-1 |
| E 3/4 - 14 N.P.T.F. - 1 | L 2-3/4" (69.9 mm) | S (see below) |
| F 16" (406.4 mm) | M 24-7/16" (620.7 mm) | |

"S" Inlet / Outlet
 66630-XXX-C 3 - 8 N.P.T.F. - 1
 66632-XXX-C Rp 3 (3 - 11 BSP parallel)

PERFORMANCE CURVES



Refer to www.AROzone.com for full size flow curves.
 For additional information contact
 technical support at 1.800.495.0276