

# 1/2" Non-Metallic Models

## COMPACT SERIES PUMPS

Part of our Compact Series of pumps, our 1/2" compact pumps feature big performance in a small package. With flow rates up to 14.4 GPM (54.5 L/min) and a wide range of material and porting configurations.

Ratio:	1:1
Maximum Flow gpm (L/min):	14.4 (54.5)
Displacement per cycle gal (l):	.039 (.15)
Air Inlet: (Female)	1/4 - 18 PTF SAE Short
Fluid Inlet/Outlet:	1/2 - 14 NPTF - 1 Rp 1/2 (1/2 -14 BSP, parallel)
Max. operating pressure psi (bar):	100 (6.9)
Suspended solids max. dia in (mm):	.09375 (2.4)
Weight lbs (kg):	PD05P-XDS-XXX-B 6.3 (2.9) PD05P-XES-XXX-B 6.7 (3.0) PD05P-XKS-XXX-B 6.8 (3.1) PD05P-XLS-XXX-B 7.2 (3.3) PD05P-XPS-XXX-B 5.2 (2.4) PD05P-XRS-XXX-B 5.4 (2.5)
Maximum dry suction lift ft (m):	15.0 (4.5)
Sound Level:	70 PSI (4.8 bar) 60 Cycles/Min 75.0 db(A)
Muffler:	Integral, Included



PD05P-ARS-PAA

### Ordering

Position	1	2		3	4	5		6	7	8		9	10	11
Example:	PX05	P	-	X	X	S	-	X	X	X	-	B	X	X

Position 1 Model Series	Position 2 Center Section	Position 3 Connections	Position 4 Manifold Material	Position 5 Hardware	Position 6 Seat Material	Position 7 Ball Material	Position 8 Diaphragm Material	Position 9
D - Standard E - Remote Actuation Capable	P - Polypropylene	A - 1/2 - 14 NPTF - 1 B - Rp 1/2 (1/2 -14 BSP, parallel)	D - Ground. Acetal (single port) E - Ground. Acetal (multiple port) K - PVDF (single port) L - PVDF (multiple port) P - Polypropylene (single port) R - Polypropylene (multiple port)	S - Stainless Steel	D - Acetal K - PVDF P - Polypropylene S - Stainless Steel	A - Santoprene C - Hytrel* G - Nitrile S - Stainless Steel T - PTFE U - Polyurethane V - Viton	A - Santoprene C - Hytrel* G - Nitrile L - Long-Life PTFE T - PTFE/Santoprene U - Polyurethane V - Viton	Revision Level  <b>Position 10 &amp; 11 Specialty Code</b>  Fluid control options for pump with electronic interface (PE05 model). See complete description on page 17

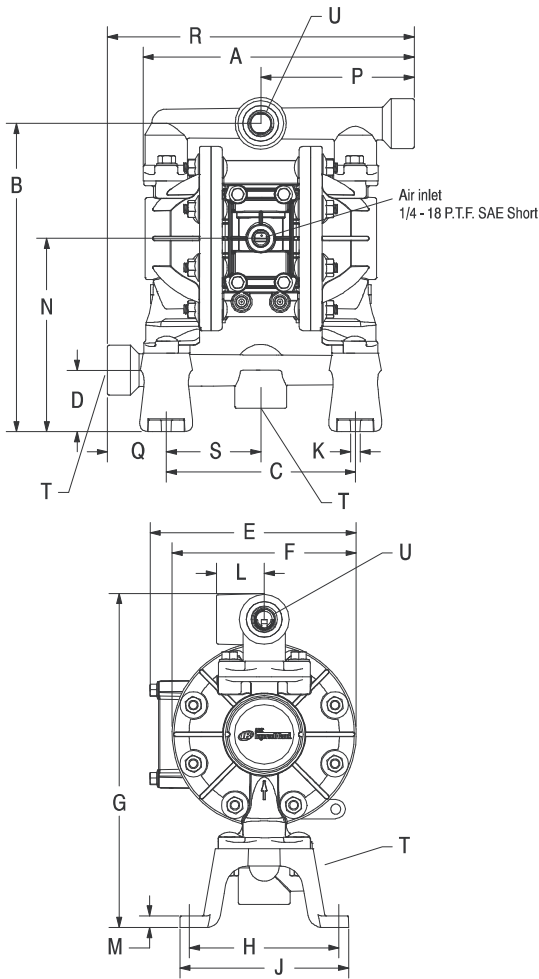
### Accessories

- Air Line Connection Kit | 66073-1**  
(Piggyback Filter/Regulator with gauge, pipe nipple and 5-foot air hose)
- Cycle Counter Kit | 66975**
- Wall Mount Bracket Kit | 76763**
- Optional Muffler | 93110** used with 637438 kit
- Service Repair Kits | 637428** (air section)  
637427-XX (fluid section)



Air Line Connection Kit  
66073-1

# 1/2" Non-Metallic Dimensions and Flow Charts



### DIMENSIONS

A 8-27/32" (224.3 mm)	G 10-7/8" (275.7 mm)	N 6-5/16" (159.9 mm)
B 10-1/16" (255.0 mm)	H 4-7/8" (123.8 mm)	P 5" (127.0 mm)
C 6.164" (156.6 mm)	J 5-1/2" (139.7 mm)	Q 1-59/64" (48.8 mm)
D 2" (50.8 mm)	K 5/16" (8.0 mm)	R 10" (254.0 mm)
E 6-23/32" (170.6 mm)	L 1-9/16" (39.7 mm)	S 3-3/32" (78.3 mm)
F 6" (152.4 mm)	M 3/8" (9.5 mm)	

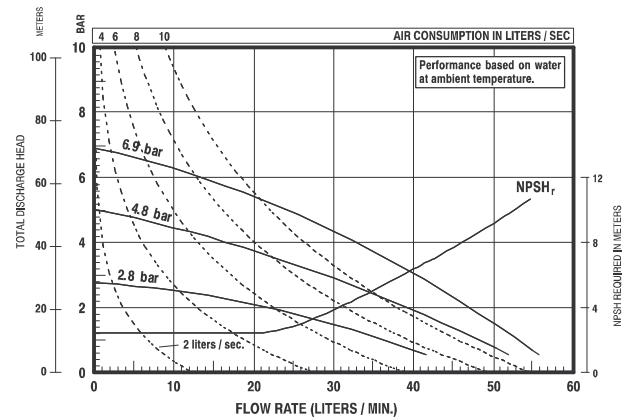
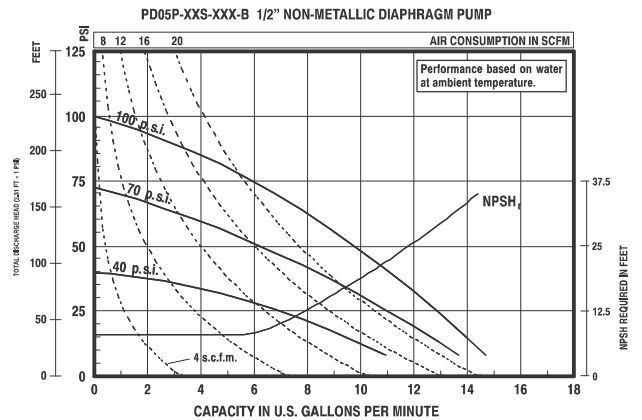
<b>Model</b>	<b>"T" Material Inlet</b>	<b>"U" Material Outlet</b>
PD05P-AXS-XXX-B	1/2 - 14 N.P.T.F. - 1	1/2 - 14 N.P.T.F. - 1
PD05P-BXS-XXX-B	Rp 1/2 (1/2 - 14 BSP)	Rp 1/2 (1/2 - 14 BSP)



PE05P-APS-PAA-B0S  
with 637440-1 Kit

- Dual Inlet/Outlet Kits:
- 637440-1 (N.P.T. Poly)
  - 637440-4 (BSP Poly)
  - 637440-2 (N.P.T. Acetal)
  - 637440-5 (BSP Acetal)
  - 637440-3 (N.P.T. PVDF)
  - 637440-6 (BSP PVDF)

### PERFORMANCE CURVES



Refer to [www.AROzone.com](http://www.AROzone.com) for full size flow curves.  
For additional information contact  
technical support at 1.800.495.0276

### Ordering Position 10

#### Specialty Code 1 (Blank if no Specialty Code)

- |                     |   |
|---------------------|---|
| A - Solenoid 120VAC | G - Solenoid 12VDC ATEX/IECex             |
| B - Solenoid 12VDC  | H - Solenoid 24VDC ATEX/IECex             |
| C - Solenoid 240VAC | J - 120VAC NEC/CEC                        |
| D - Solenoid 24VDC  | K - Solenoid 220VAC ATEX/IECex            |
| E - 12vDC NEC/CEC   | N - Solenoid with no coil                 |
| F - 24vDC NEC/CEC   | O - Standard Valve Block<br>(No Solenoid) |

### Ordering Position 11 Specialty Code 2 (Blank if no Specialty Code)

- |   |                                       |
|---|---------------------------------------|
| E - End of stroke feedback + Leak Detection         | L - Leak Detection                    |
| F - End of stroke feedback                          | M - Leak Detection ATEX/IECex/NEC/CEC |
| G - End of Stroke ATEX/IECex/NEC/CEC                | O - No Option                         |
| H - End of Stroke/Leak Detection ATEX/IECex/NEC/CEC |                                       |