

1-1/2" Non-Metallic Models

EXP SERIES PUMPS

ARO® 1-1/2" non-metallic diaphragm pumps are frequently used in transfer, filling, recirculation and supply in chemical, industrial and water/wastewater treatment markets. Our 1-1/2" models achieve flow rates of up to 123.1 GPM (465.9 L/min) and also offer a diverse selection of material and porting configurations.

UPGRADE
PUMP FOR REMOTE
ACTUATION CAPABILITY

Ratio:	1:1
Maximum GPM (L/min):	123 (465)
Displacement per cycle Gallons (Liters):	0.617 (2.34)
Air Inlet (Female):	1/2 - 14 N.P.T.
Fluid Inlet/Outlet:	1-1/2" A.N.S.I./DIN flange (side or center)
Max. operating pressure psi (bar):	120 (8.3)
Suspended solids max. dia. in. (mm):	1/4" (6.4)
Weight lbs (kg):	Polypropylene, Side Ported 42.6 (19.3) PVDF, Side Ported 63.9 (29) Polypropylene, Center Ported 42.3 (19.2) PVDF, Center Ported 55.9 (25.3)
Maximum dry suction lift ft (m) :	14 (4.2)
Sound Level:	70 PSI (4.8 bar) 60 Cycles / Min 81.0 db(A)
Muffler Included:	93139



PX10P-FPS-PTL

Ordering

Position	1	2		3	4	5		6	7	8		9	10	11
Example:	PX15	X	-	X	X	S	-	X	X	X	-	A	X	X

Position 1 Model Series	Position 2 Center Section	Position 3 Connections	Position 4 Wetted Parts	Position 5 Hardware	Position 6 Seat Material	Position 7 Ball Material	Position 8 Diaphragm Material	Position 9
PD15 - Standard Pump PE15 - Electronic Interface Accessible Pump	E - Conductive Polypropylene P - Polypropylene	F - 1-1/2" A.N.S.I./DIN Flange (Side) Y - 1-1/2" A.N.S.I./DIN Flange (Center)	E - Conductive Polypropylene* K - PVDF P - Polypropylene	S - SS	H - 440 SS (Hard) K - PVDF P - Polypropylene S - 316 SS	A - Santoprene® C - Hytrel® G - Nitrile S - 316 SS T - PTFE V - Viton®	A - Santoprene® C - Hytrel® G - Buna-N L - Long-Life PTFE M - Medical Grade Santoprene® T - PTFE/ Santoprene® V - Viton®	Revision Level Position 10 & 11 Specialty Code Fluid control options for pump with electronic interface (PE20 model). See complete description on page 29

* Acceptable for use in hazardous locations. - NEC / CEC: Class I&II, Div 1&2, Group A-D
- ATEX: Zone 1&2, 21&22

Hytrel® and Viton® are registered trademarks of the DuPont company. Santoprene® is a registered trademark of Monsanto Company, licensed to Advanced Elastomer Systems, L.P.

Accessories

Air Line Connection Kit | 66084-1

(Piggyback Filter/Regulator with gauge, pipe nipple and 5-foot air hose)

Diaphragm Failure Detection | 67237

Cycle Counter Kit | Cycle Counter Kit| 66350

**Service Repair Kits | 637389 (air motor for PX15P), 637391-XX (fluid section with seats)
637390-X (major air valve assembly)**

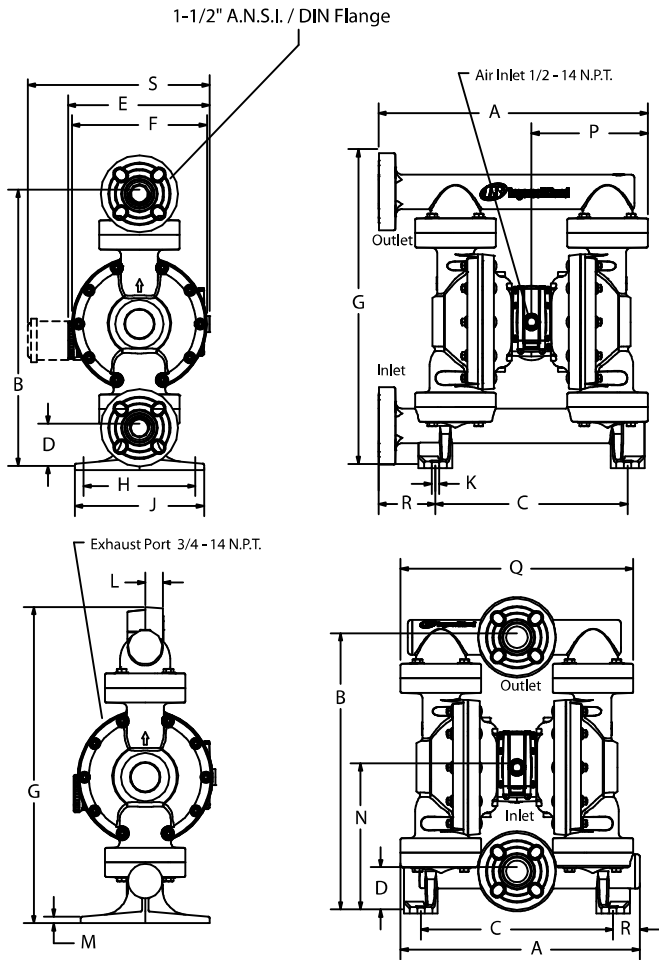
Flange Connection Kit | 67341-E15N (side flange), 67341-C15N (center flange)

Use with non-metallic EXP pumps with the flange manifold option



Flange Connection Kit

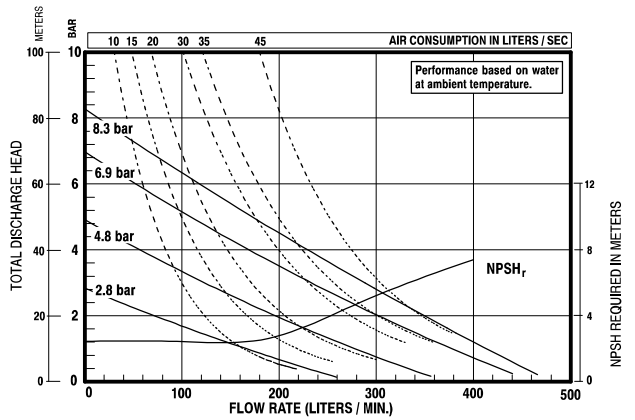
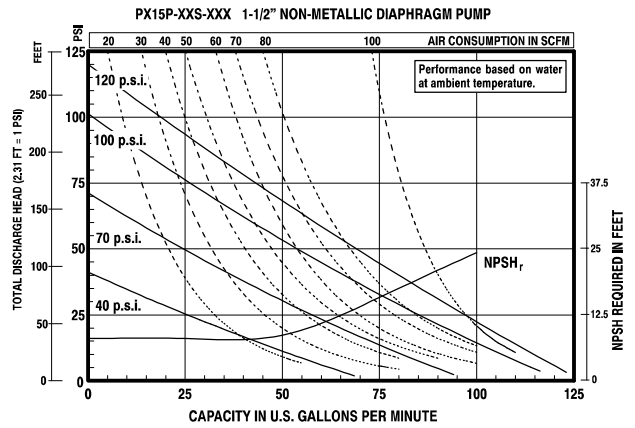
1-1/2" Non-Metallic Dimensions and Flow Charts



- | | | |
|--------------------------|-------------------------|------------------------|
| A - see below | G - see below | N - 11-3/8" (288.4 mm) |
| B - 21-15/32" (545.3 mm) | H - 8-11/16" (220.7 mm) | P - 9-1/32" (229.5 mm) |
| C - 14-15/16" (379.4 mm) | J - 10-1/32" (254.8 mm) | Q - see below |
| D - 3-9/32" (83.3 mm) | K - 9/16" (14.3 mm) | R - see below |
| E - see below | L - see below | S - see below |
| F - 10-1/2" (266.3 mm) | M - 17/32" (13.0 mm) | |

- | | |
|-------------------------------|----------------------------------|
| PX15P-EXS-XXX
(End Flange) | PX15P-YXS-XXX
(Center Flange) |
| A - 20-15/16" (531.6 mm) | 18-19/32" (472.3 mm) |
| G - 24-15/32" (621.5 mm) | 24-19/32" (624.5 mm) |
| L - ----- | 1-3/8" (34.9 mm) |
| Q - ----- | 18-3/32" (459.0 mm) |
| R - 4-7/16" (112.4 mm) | 2-3/32" (53.1 mm) |

- | | | |
|---------------|----------------|--------------------|
| PX15E-XXX-XXX | "E" | "S" |
| PX15P-XXX-XXX | 11" (279.5 mm) | 14-1/8" (358.5 mm) |



Refer to www.AROzone.com for full size flow curves.
For additional information contact technical support at 1.800.495.0276

Ordering Position 10

Specialty Code 1 (Blank if no Specialty Code)

- | | |
|---------------------|--|
| A - Solenoid 120VAC | G - Solenoid 12VDC ATEX/IECex* |
| B - Solenoid 12VDC | H - Solenoid 24VDC ATEX/IECex* |
| C - Solenoid 240VAC | J - 120VAC NEC/CEC* |
| D - Solenoid 24VDC | K - Solenoid 220VAC ATEX/IECex* |
| E - 12VDC NEC/CEC* | N - Solenoid with no coil |
| F - 24VDC NEC/CEC* | O - Standard Valve Block (No Solenoid) |
| | P - Ported Motor (No major valve provided) |

Ordering Position 11

Specialty Code 2 (Blank if no Specialty Code)

- | | |
|--|--|
| E - End of stroke feedback + Leak Detection | L - Leak Detection |
| F - End of stroke feedback | M - Leak Detection ATEX/IECex/NEC/CEC* |
| G - End of Stroke ATEX/IECex* | O - No Option |
| H - End of Stroke/Leak Detection ATEX/IECex* | R - End of Stroke Feedback NEC / CEC* |
| | T - End of Stroke Feedback + Leak Detection NEC / CEC* |

* Acceptable for use in hazardous locations. - NEC / CEC: Class I&II, Div 1&2, Group A-D
- ATEX: Zone 1&2, 21&22